

## Product Description

- 6mm clear safety toughen glass with aluminium frame door panel
- Full solid brass with chrome plated fitting; shower base excluded
- Some panel width can have minor adjustment
- Door panel is reversible for either left or right hand side
- Australian standard certified product

## SHOWER SCREEN



**S30 + S68** (corner, pivot door)  
- Door side width: 770-1540mm  
- Fixed panel width: 780-1100mm,  
- Height: 1900mm



**TK10** (corner, sliding door)  
- Size: 800X800, 900X900, 1000X1000  
(±10mm adjustment)  
- Height: 1900mm



**TK30** (curved, sliding door)  
- Size: 800X800, 900X900, 1000X1000  
(±10mm adjustment)  
- Height: 1900mm



**S30** (wall to wall, pivot door)  
- Width: 770-1540mm  
- Height: 1900mm



**TK50** (wall to wall, sliding door)  
- Width: 900-1700mm  
- Height: 1900mm

### Detailed size:

- **S30** (pivot door side):

- 770-900mm
- 870-1000mm
- 970-1100mm
- 1070-1240mm
- 1170-1340mm
- 1270-1440mm
- 1370-1540mm

- **S68** (fixed panel):

- 780-800mm
- 880-900mm
- 980-1000mm
- 1080-1100mm

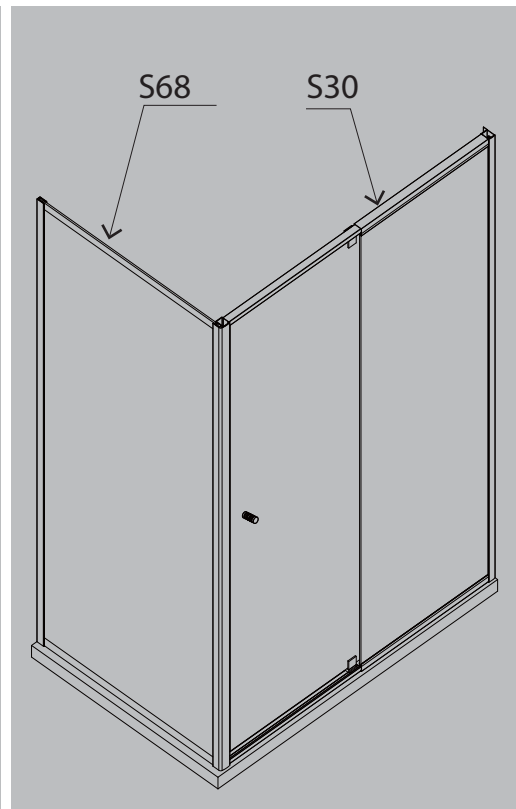
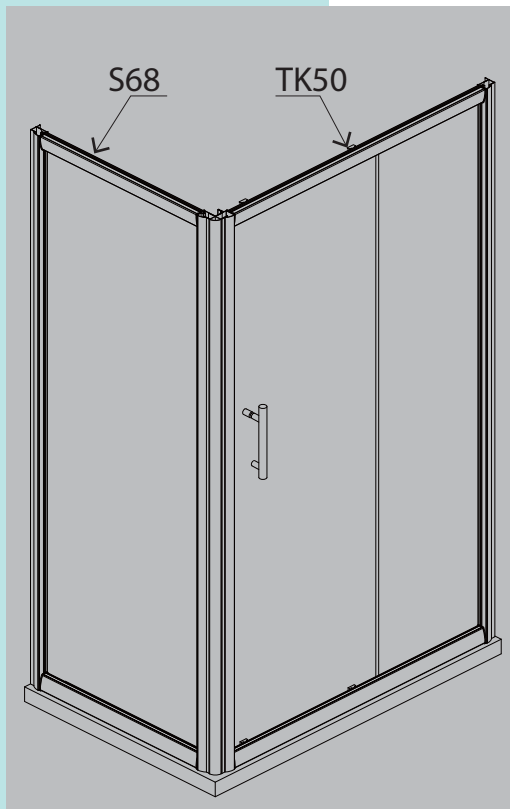
- **TK50** (sliding door side):

- 900-1000mm
- 1000-1100mm
- 1100-1300mm
- 1300-1500mm
- 1500-1700mm

## Product Description

- 6mm clear safety toughen glass with aluminium frame door panel
- Full solid brass with chrome plated fitting; shower base excluded
- Some panel width can have minor adjustment
- Door panel is reversible for either left or right hand side
- Australian standard certified product

## SHOWER SCREEN



### TK70

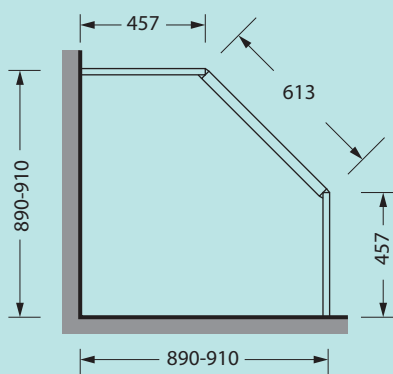
- Size: 900x900 (±10mm)
- Door side width: 613mm
- Fixed panel width: 457mm,
- Height: 1900mm

### TK50 + S68

- Corner, fixed+sliding door
- Door side width: 900-1700mm
- Fixed panel width: 780-1100mm
- Height: 1900mm

### S30 + S68

- Corner, fixed + pivot door
- Door side width: 770-1540mm
- Fixed panel width: 780-1100mm,
- Height: 1900mm



TK70 PLAN

### Flexible corner combinations:

- **S30 + S68**  
(pivot door opening):  
Pick a size from **S30** range,  
THEN pick another size from  
**S68** range;
- **TK50 + S68**  
(sliding door opening):  
Pick a size from **TK50** range,  
THEN pick another size from  
**S68** range

### Detailed size:

- **S30** (pivot door side):  
770-900mm  
870-1000mm  
970-1100mm  
1070-1240mm  
1170-1340mm  
1270-1440mm  
1370-1540mm
- **S68** (fixed panel):  
780-800mm  
880-900mm  
980-1000mm  
1080-1100mm
- **TK50** (sliding door side):  
900-1000mm  
1000-1100mm  
1100-1300mm  
1300-1500mm  
1500-1700mm

## Product Description

- 6mm clear safety toughen glass with aluminium frame door panel
- Full solid brass with chrome plated fitting; shower base excluded
- Some panel width can have minor adjustment
- Door panel is reversible for either left or right hand side
- Australian standard certified product

## SHOWER SCREEN



S68



TK60

### **TK60 + S68** (handle on right hand side)

- Corner, fixed + double sliding doors
- Door side width: 800-950mm
- Fixed panel width: 880-900mm
- Height: 1900mm

S68



TK60

### **TK60 + S68** (handle on left hand side)

- Corner, fixed + double sliding doors
- Door side width: 800-950mm
- Fixed panel width: 880-900mm
- Height: 1900mm

### Detailed size:

- **S68** (fixed panel):  
880-900mm

- **TK60** (sliding doors side):  
800-850mm  
850-900mm  
900-950mm



### **TK60** (wall to wall, double sliding doors)

- Width: 800-950mm
- Height: 1900mm